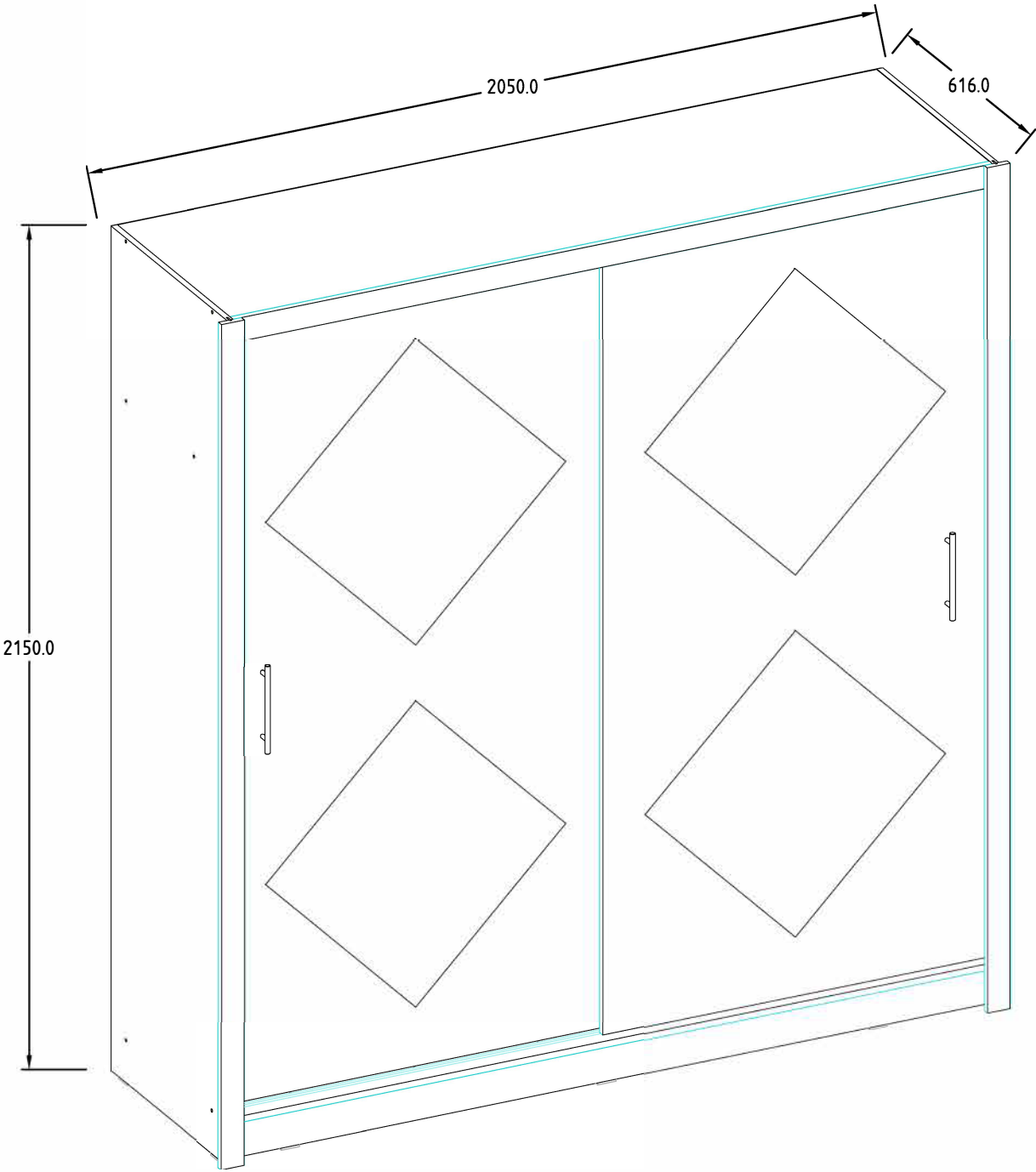
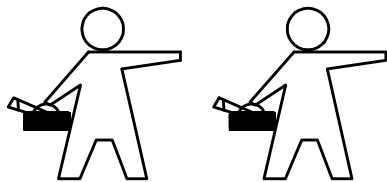


BORA

XI

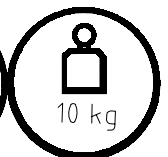
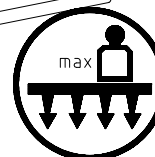
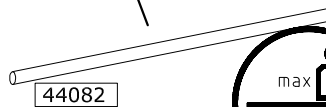
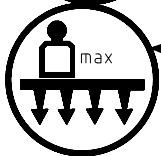
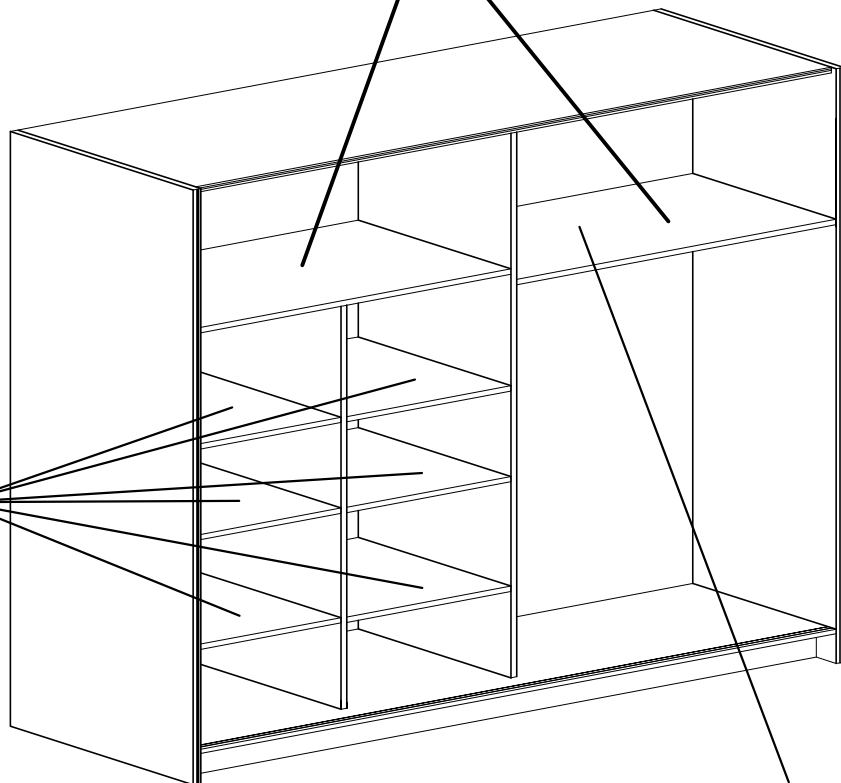
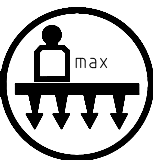
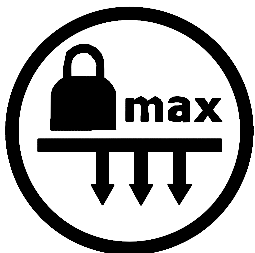
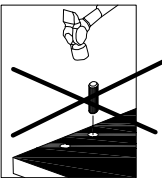
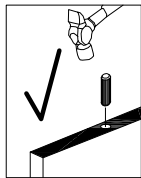
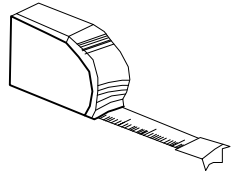
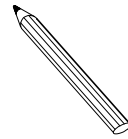


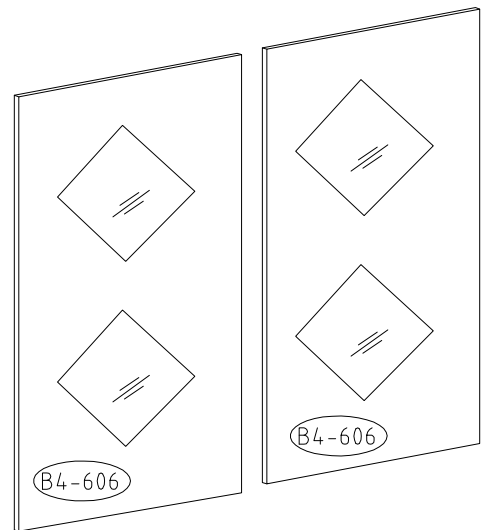
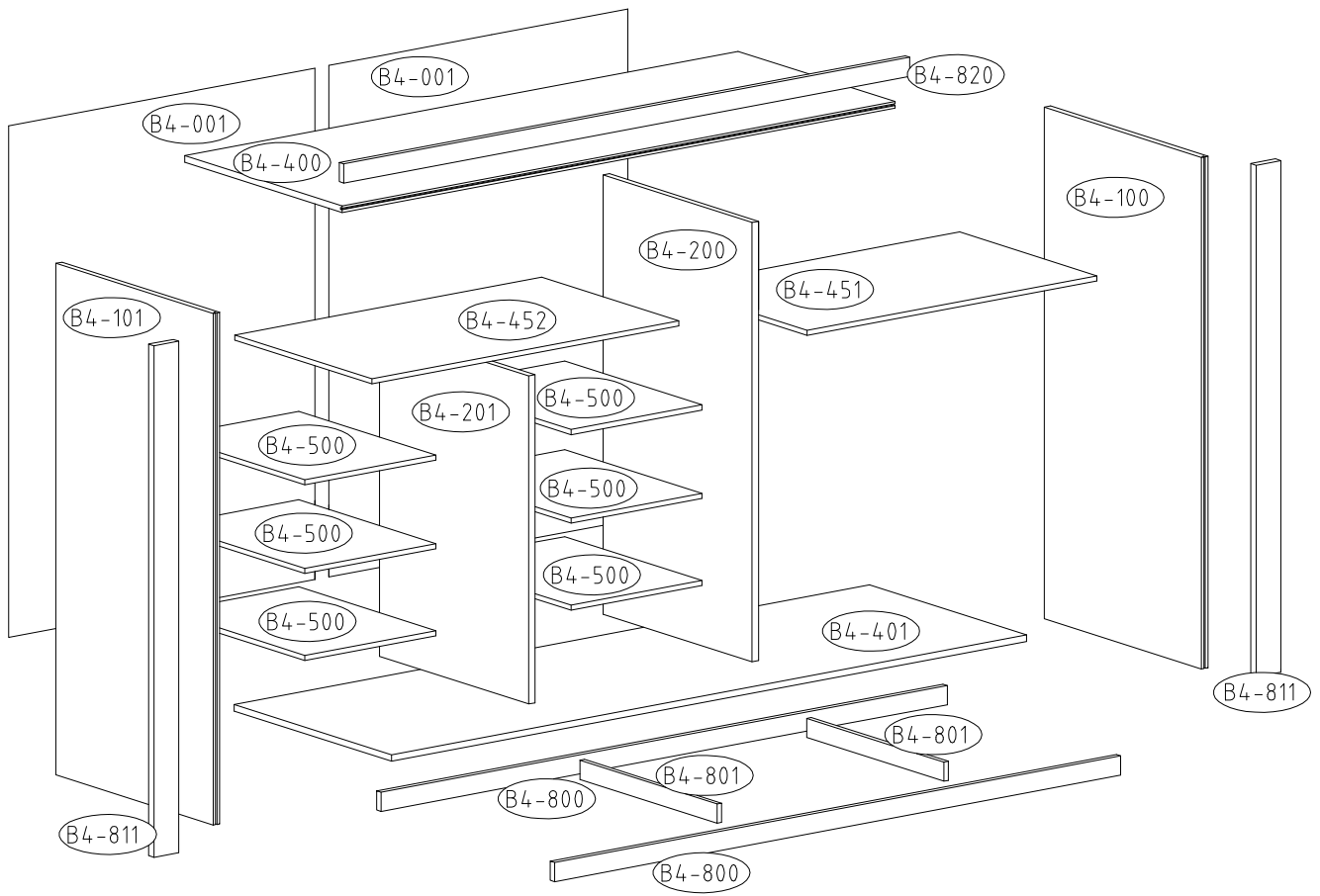


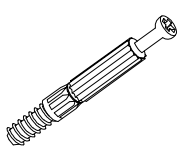
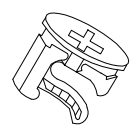
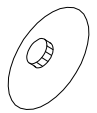
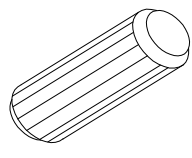
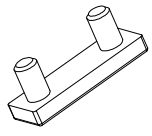
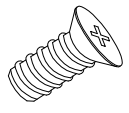

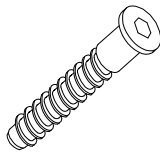

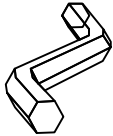
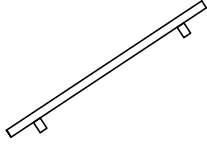
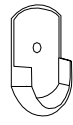
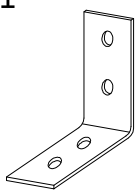

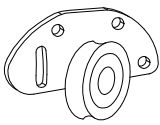
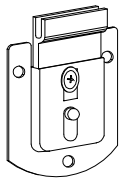
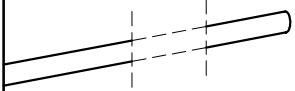


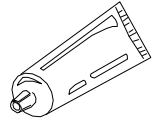
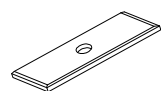
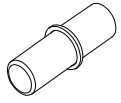

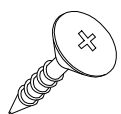
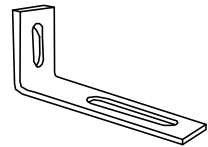

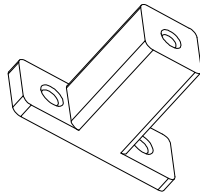
PH2



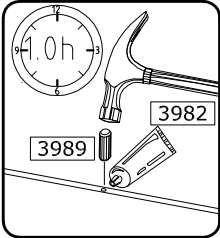
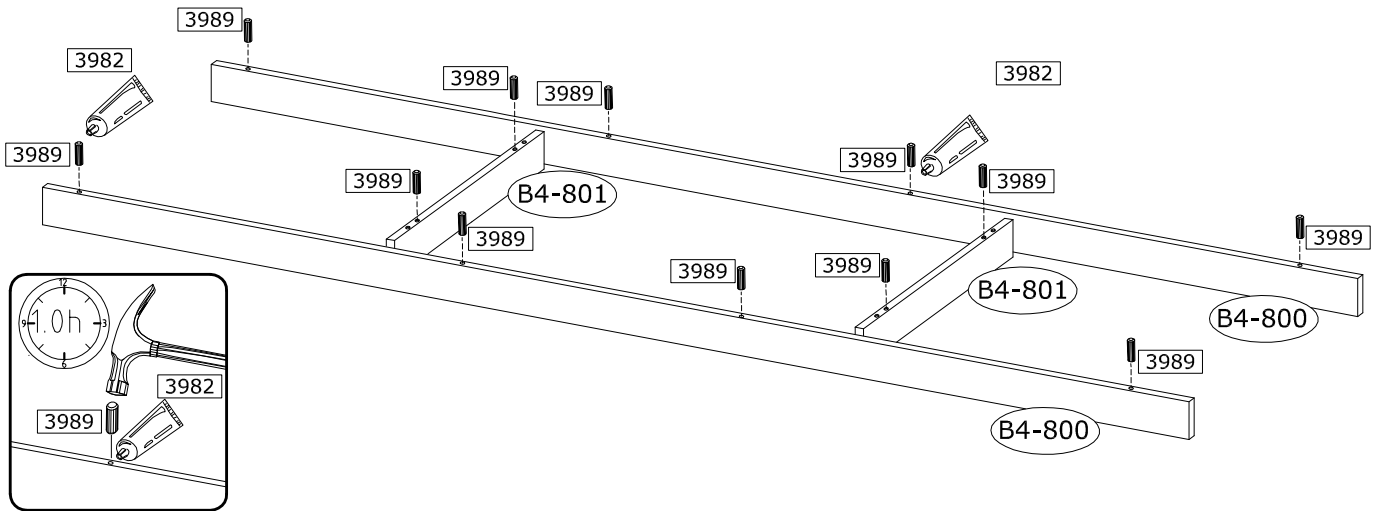
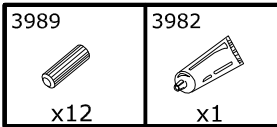
PH1



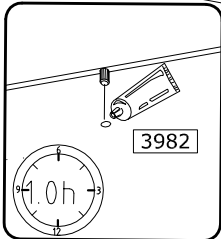
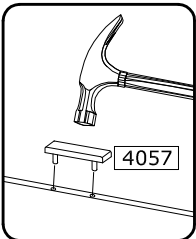
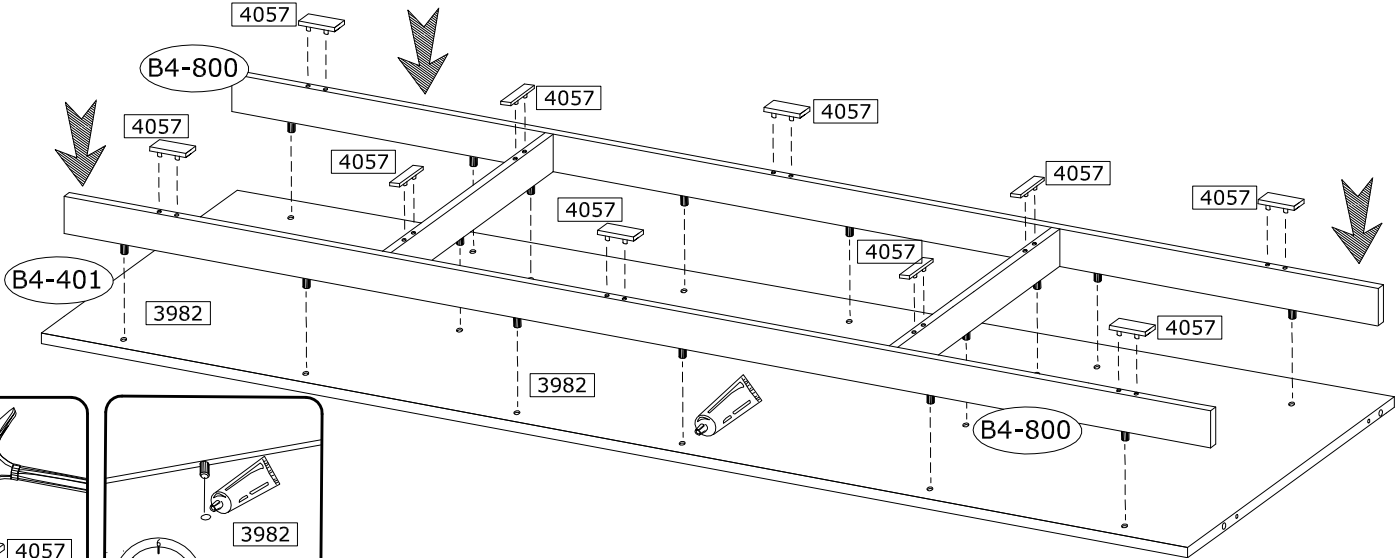
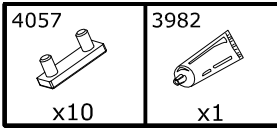


<p>4066</p>  <p>Ø6.5x36.5mm x8</p>	<p>3996</p>  <p>Ø15x16mm x8</p>	<p>136236</p>  <p>Ø15 x8</p>	<p>3989</p>  <p>Ø8x30mm x36</p>
<p>4057</p>  <p>x14</p>	<p>3879</p>  <p>Ø6.3x13mm x4</p>	<p>3923</p>  <p>Ø4.0x16mm x46</p>	<p>3884</p>  <p>x16</p>
<p>80931</p>  <p>M4.0x22mm x4</p>	<p>3984</p>  <p>4mm x1</p>	<p>IN01594</p>  <p>x2</p>	<p>4069</p>  <p>x2</p>
<p>3981</p>  <p>x4</p>	<p>64270</p>  <p>L-1966 x2</p>	<p>IN01007</p>  <p>x4</p>	<p>IN01006</p>  <p>x4</p>
<p>44082</p>  <p>L-968 x1</p>	<p>3975</p>  <p>1.2x20mm x90</p>	<p>3993</p>  <p>L-150x4mm x18</p>	<p>3983</p>  <p>x2</p>
<p>77793</p>  <p>23x10x1 mm x16</p>	<p>4017</p>  <p>Ø5x16 mm x24</p>	<p>3912</p>  <p>Ø3,0x13mm x20</p>	<p>3918</p>  <p>Ø3,5x16mm x4</p>
<p>71900</p>  <p>75x15x32 mm x2</p>	<p>142717</p>  <p>Ø10 x16</p>	<p>86307</p>  <p>54x20x40 mm x1</p>	

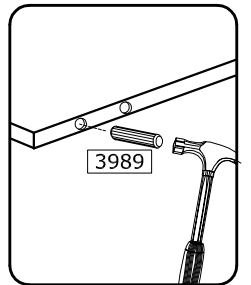
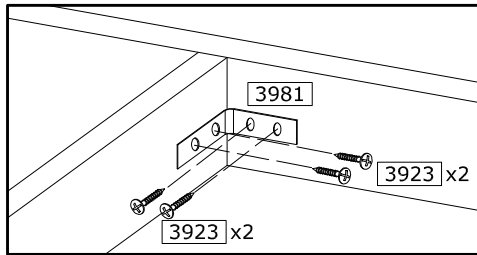
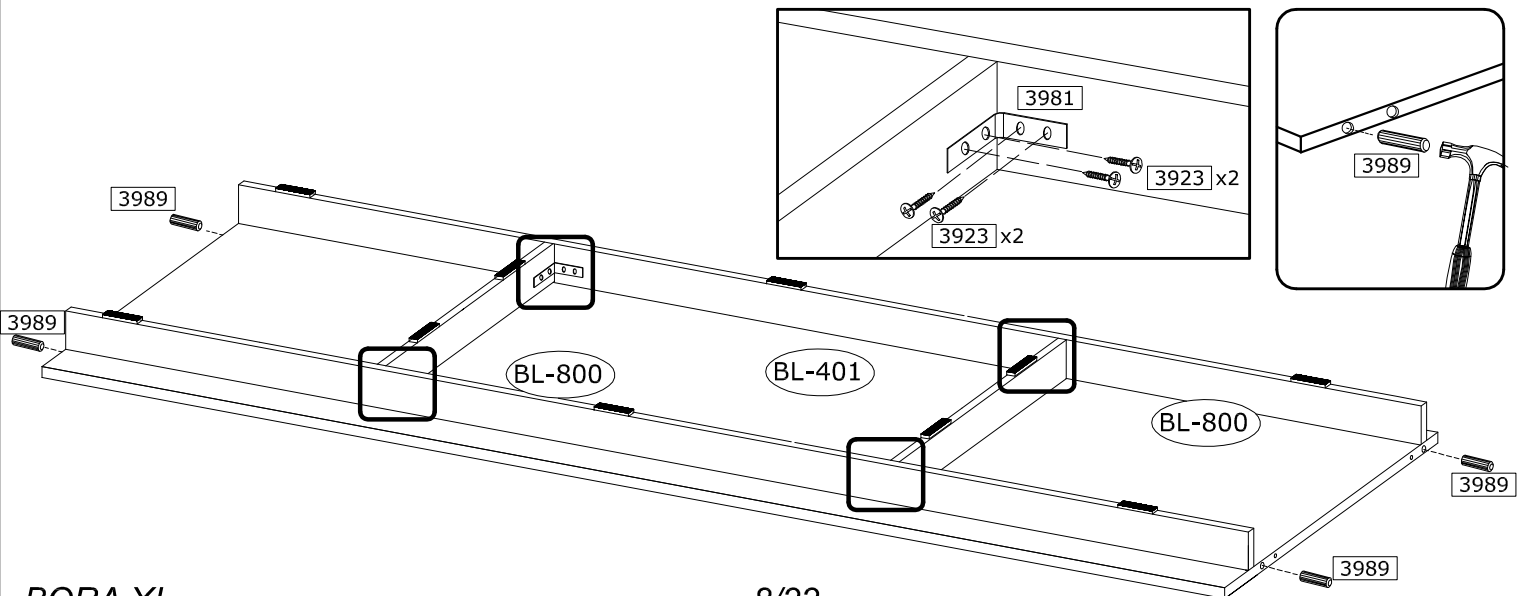
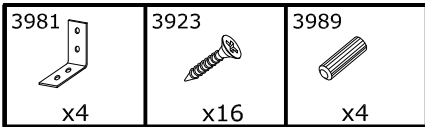
1.





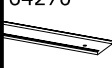
2.

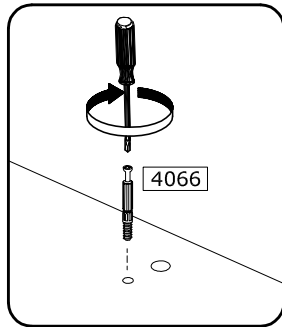
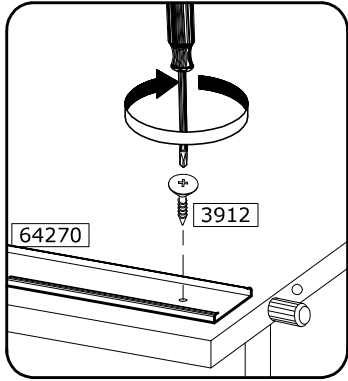
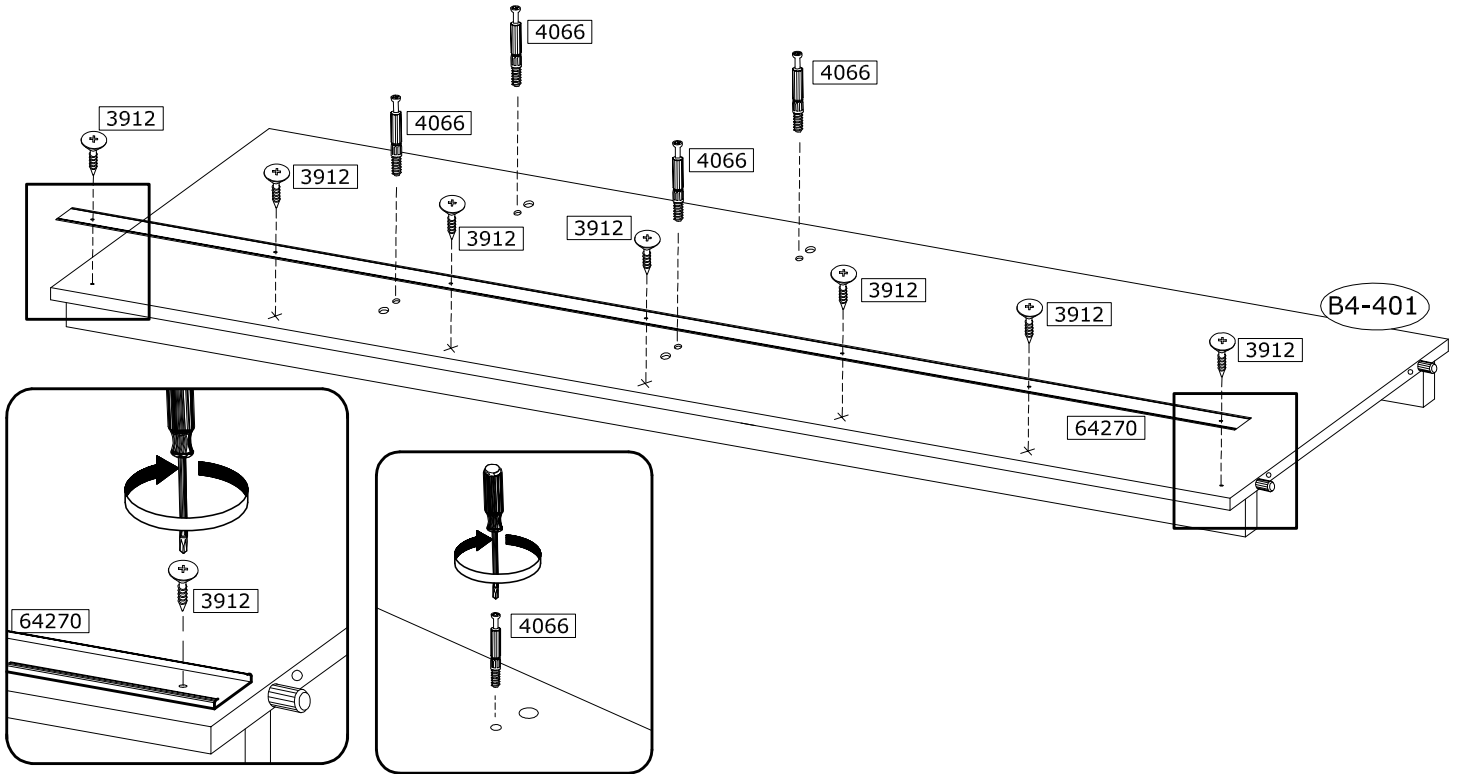


3.


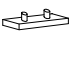


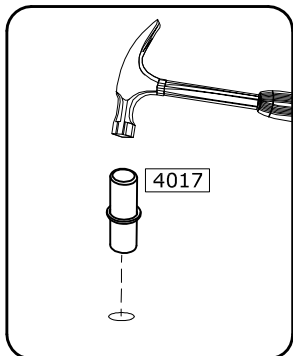
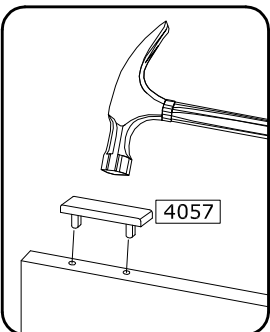
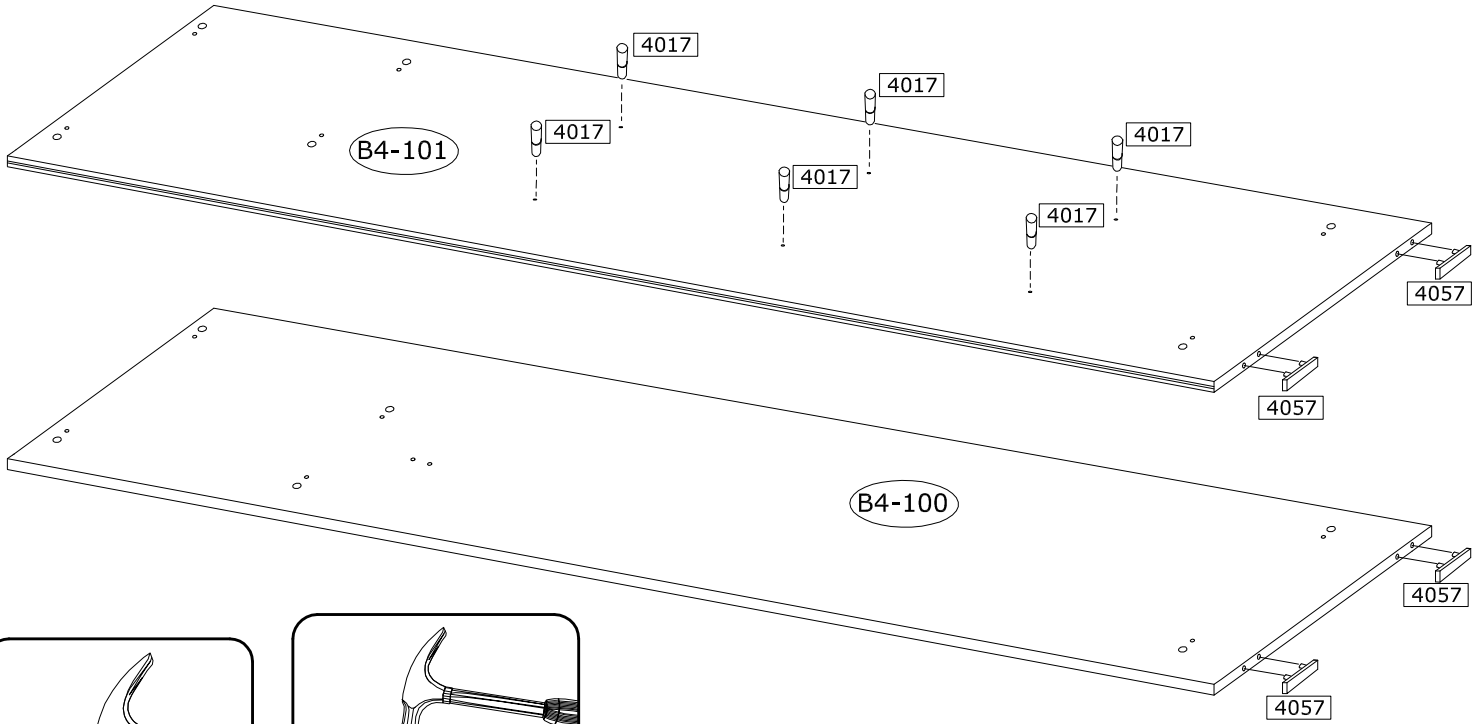
4.

4066  x4	3912  x8	64270  x1
--	--	---



5.

4017  x6	4057  x4
---	---



6.

3989



x8

3996

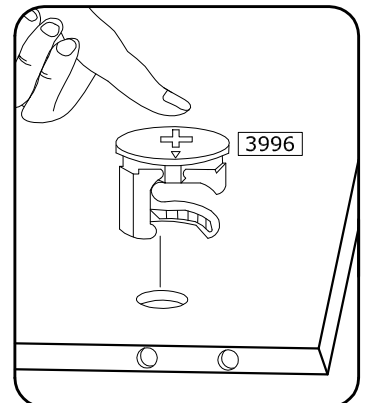
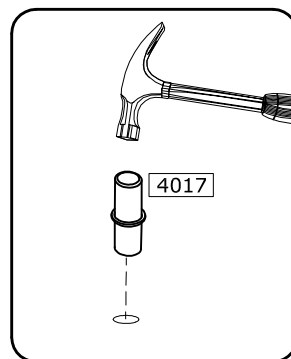
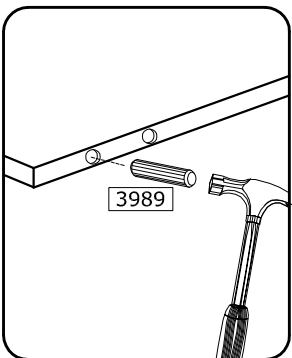
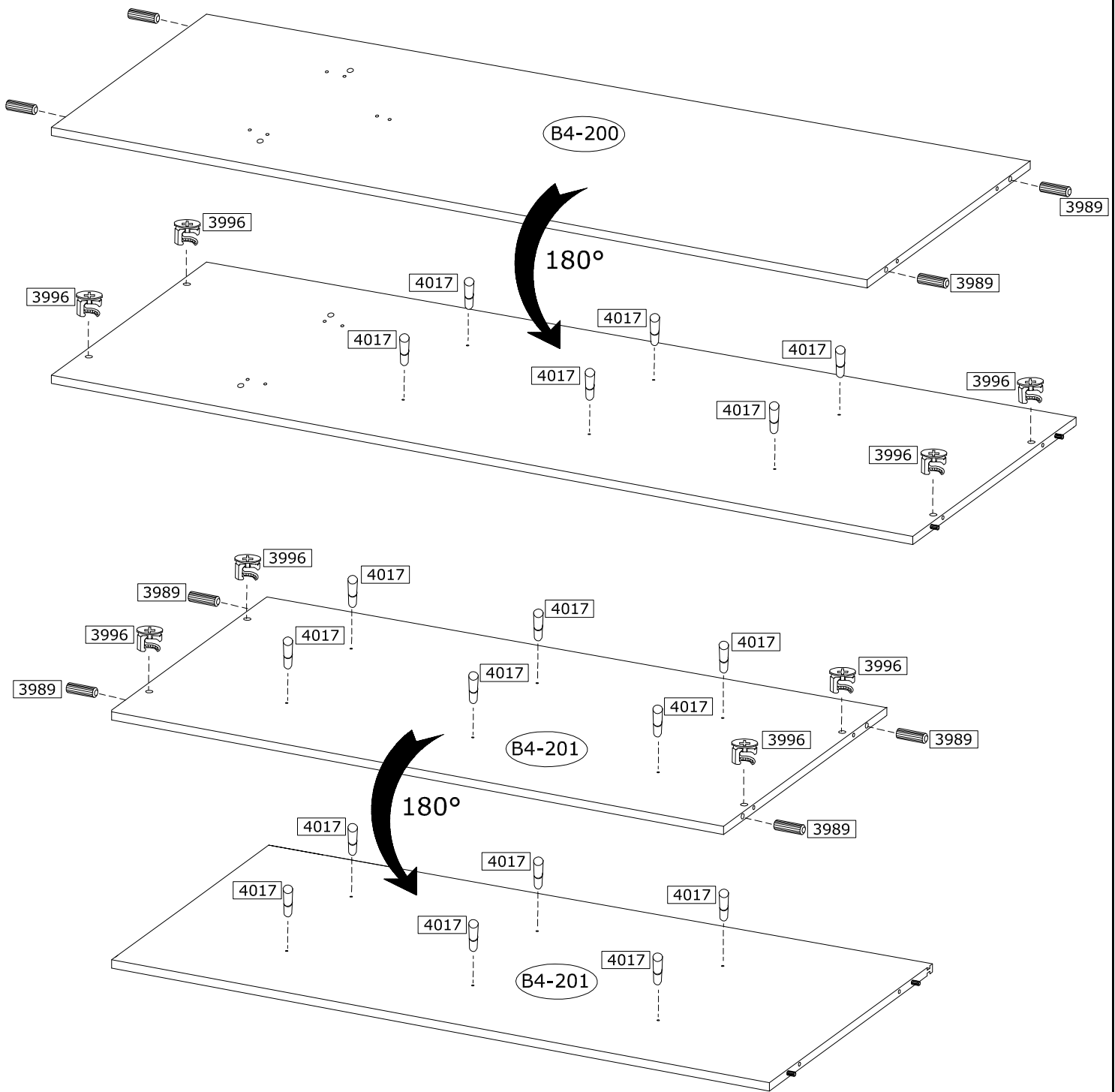


x8

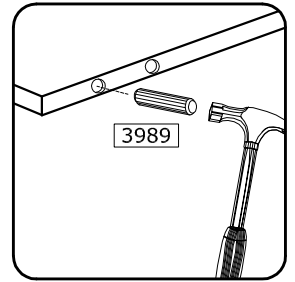
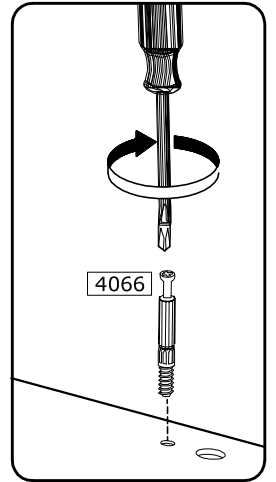
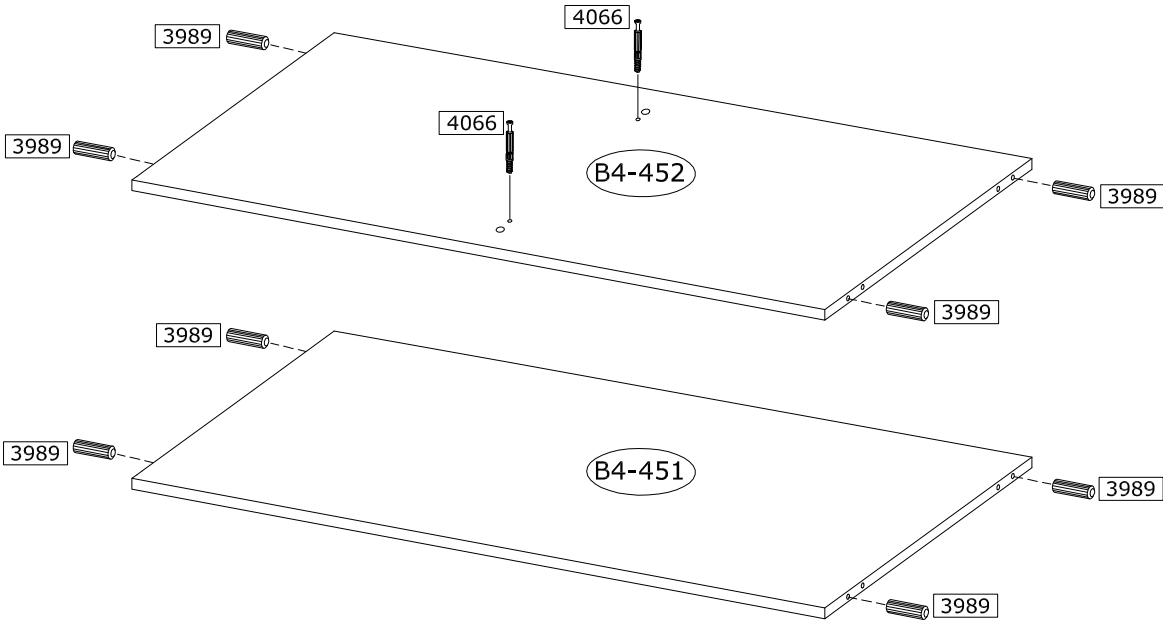
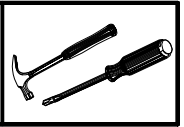
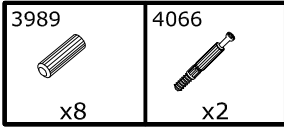
4017



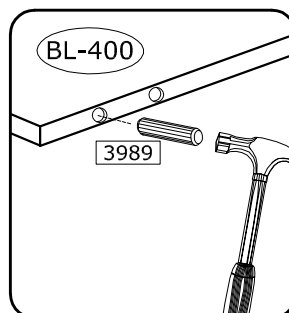
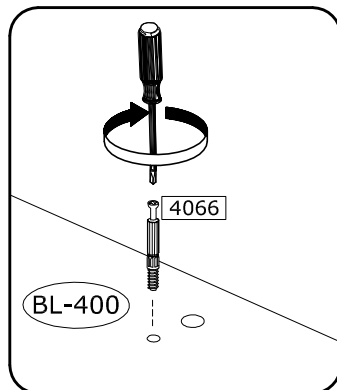
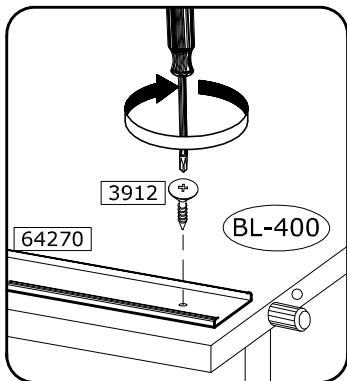
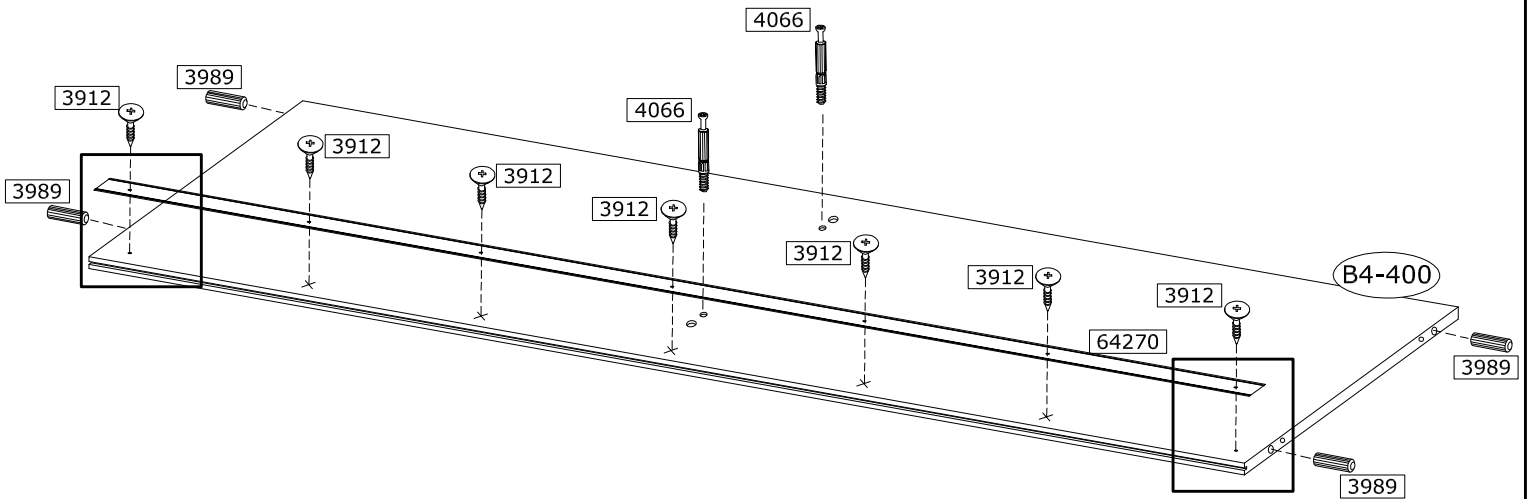
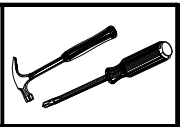
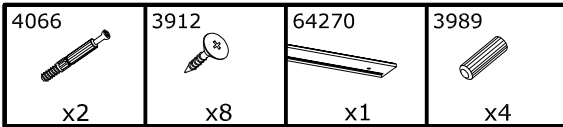
x18



7.



8.

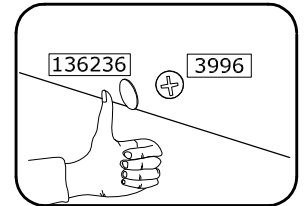
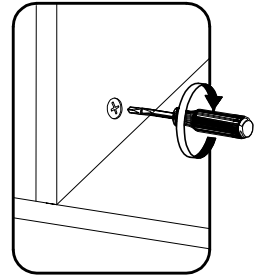
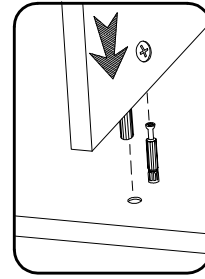
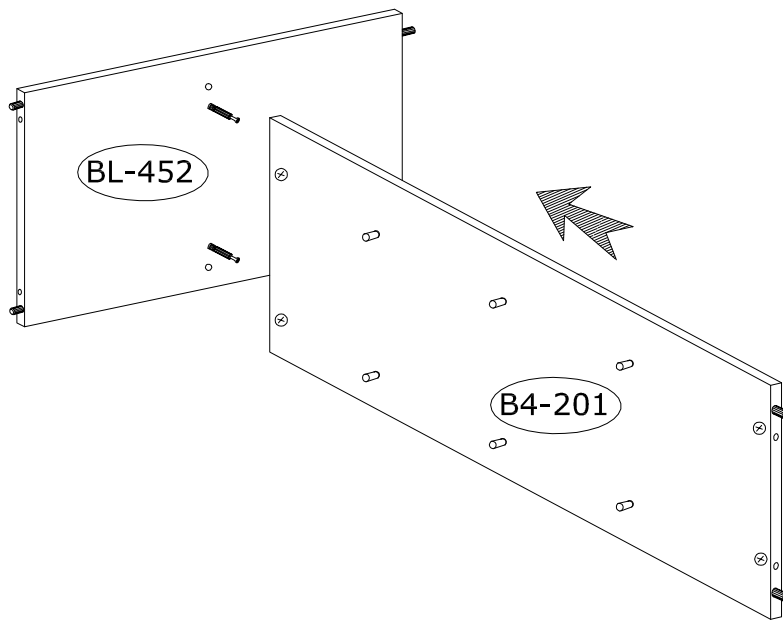


9.

136236



x2



10.

3884



x4

3984



x1

142717

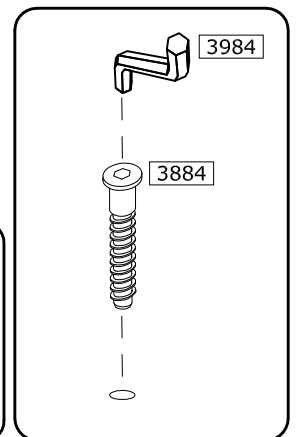
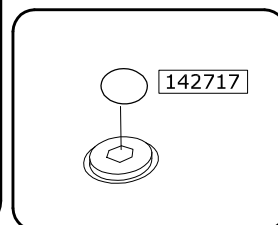
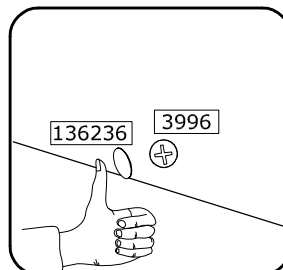
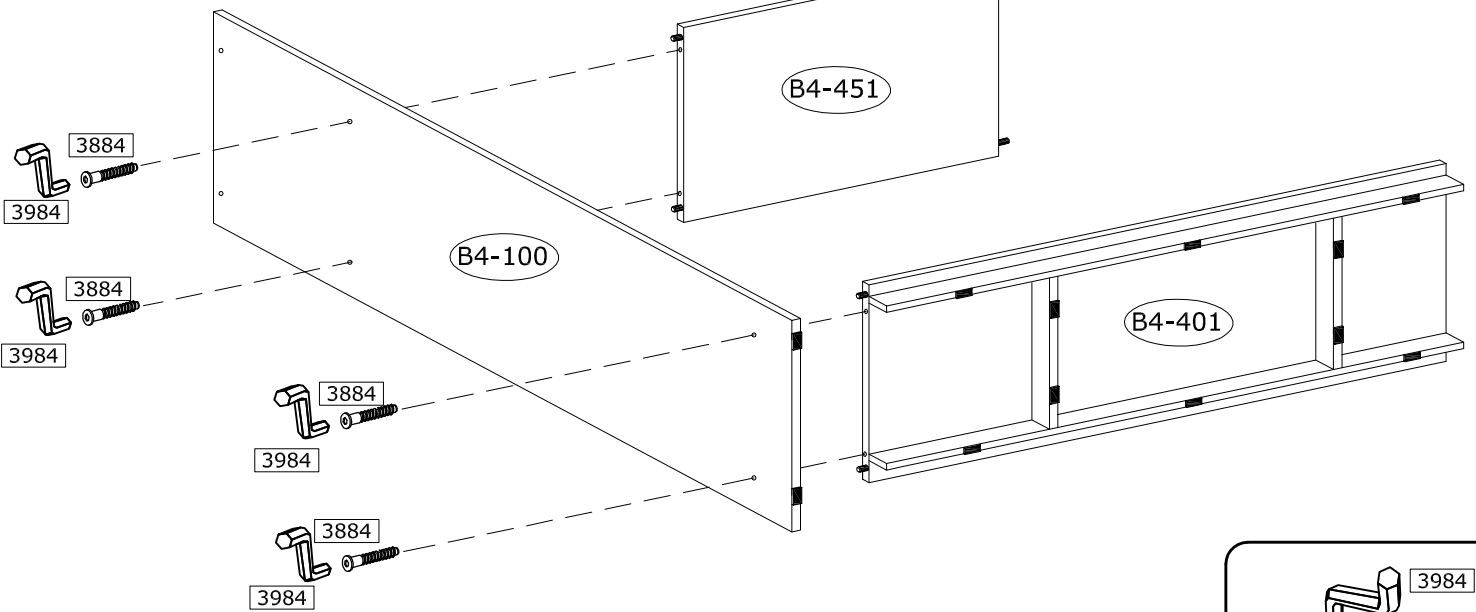


x4




136236

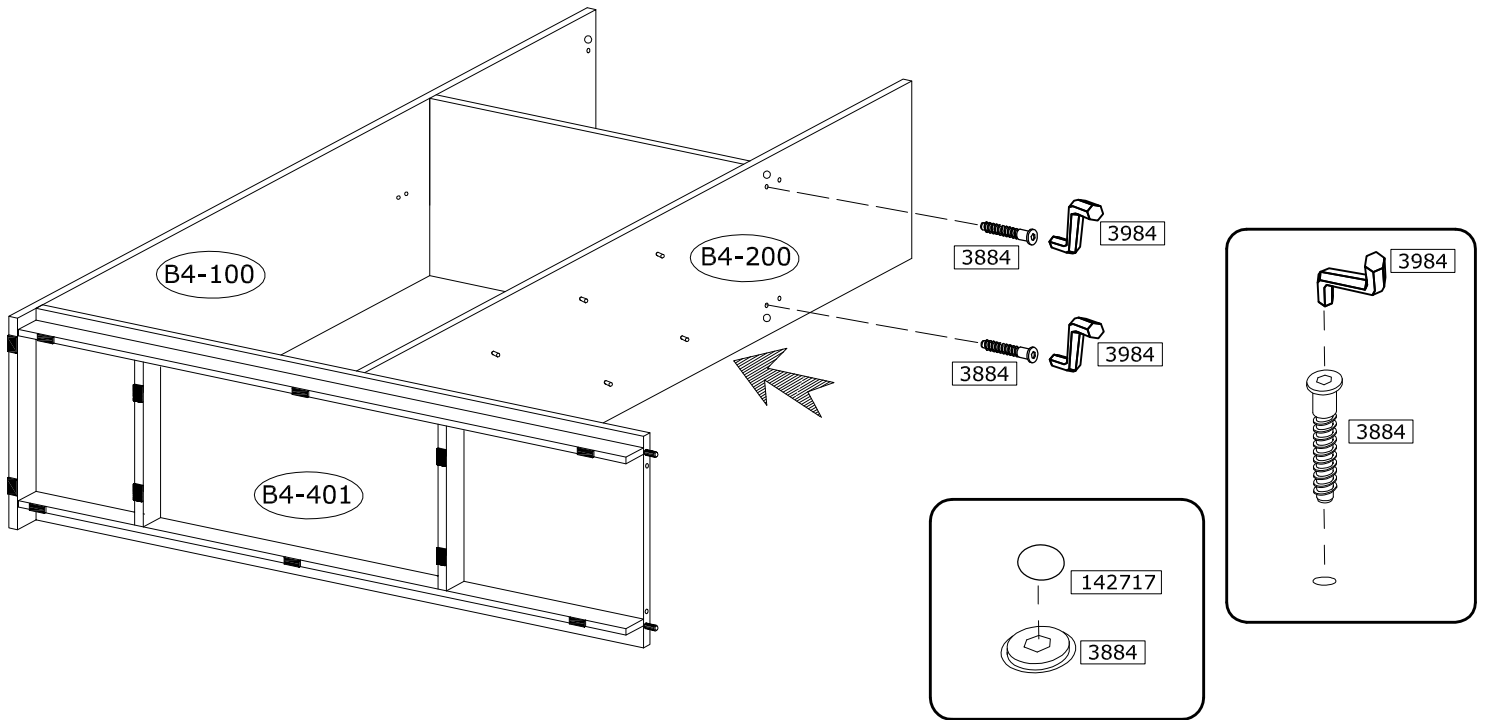


x4



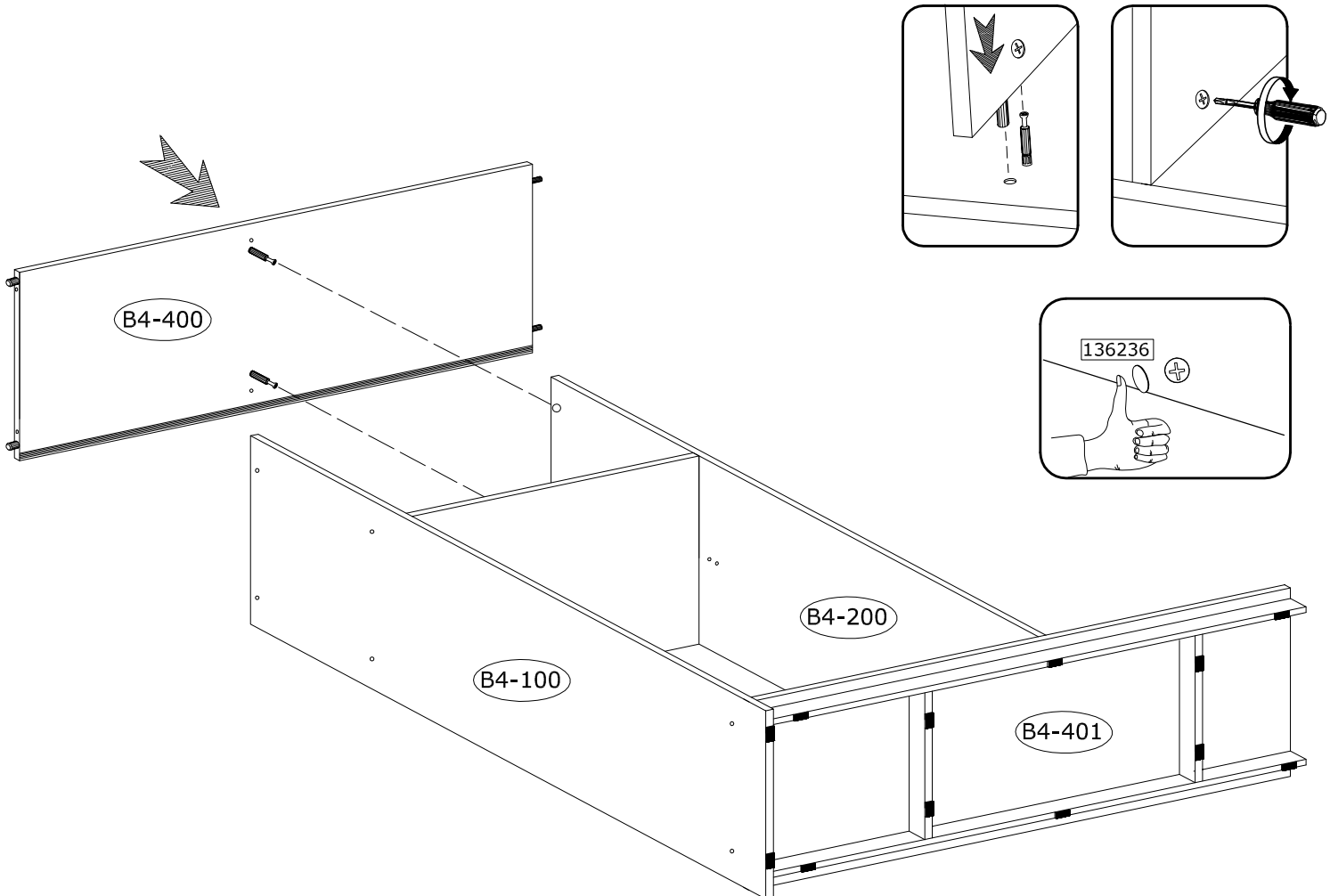
11.

3884  x2	3984  x1	142717  x2
--	--	--



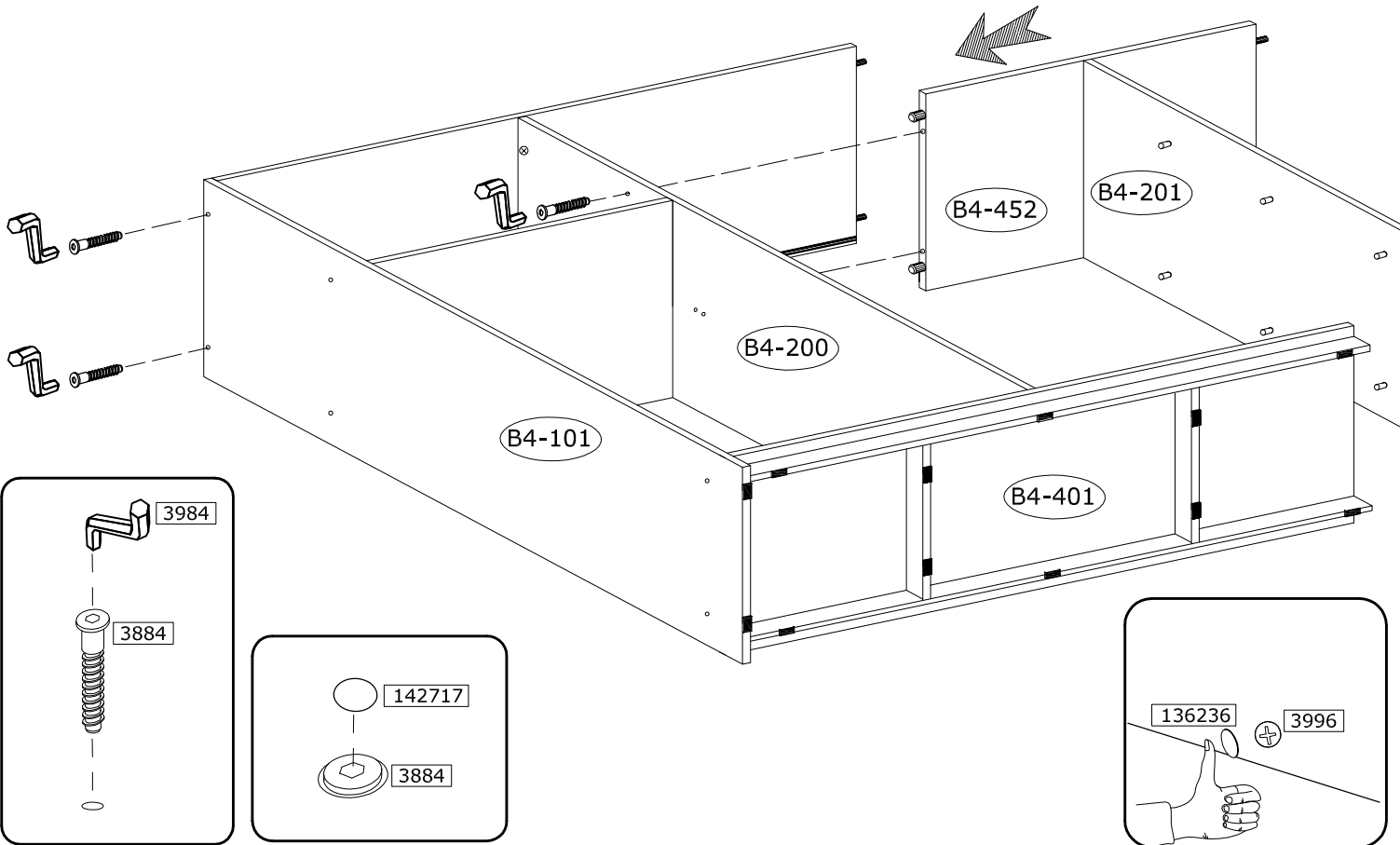
12.

136236  x2		
---	--	---



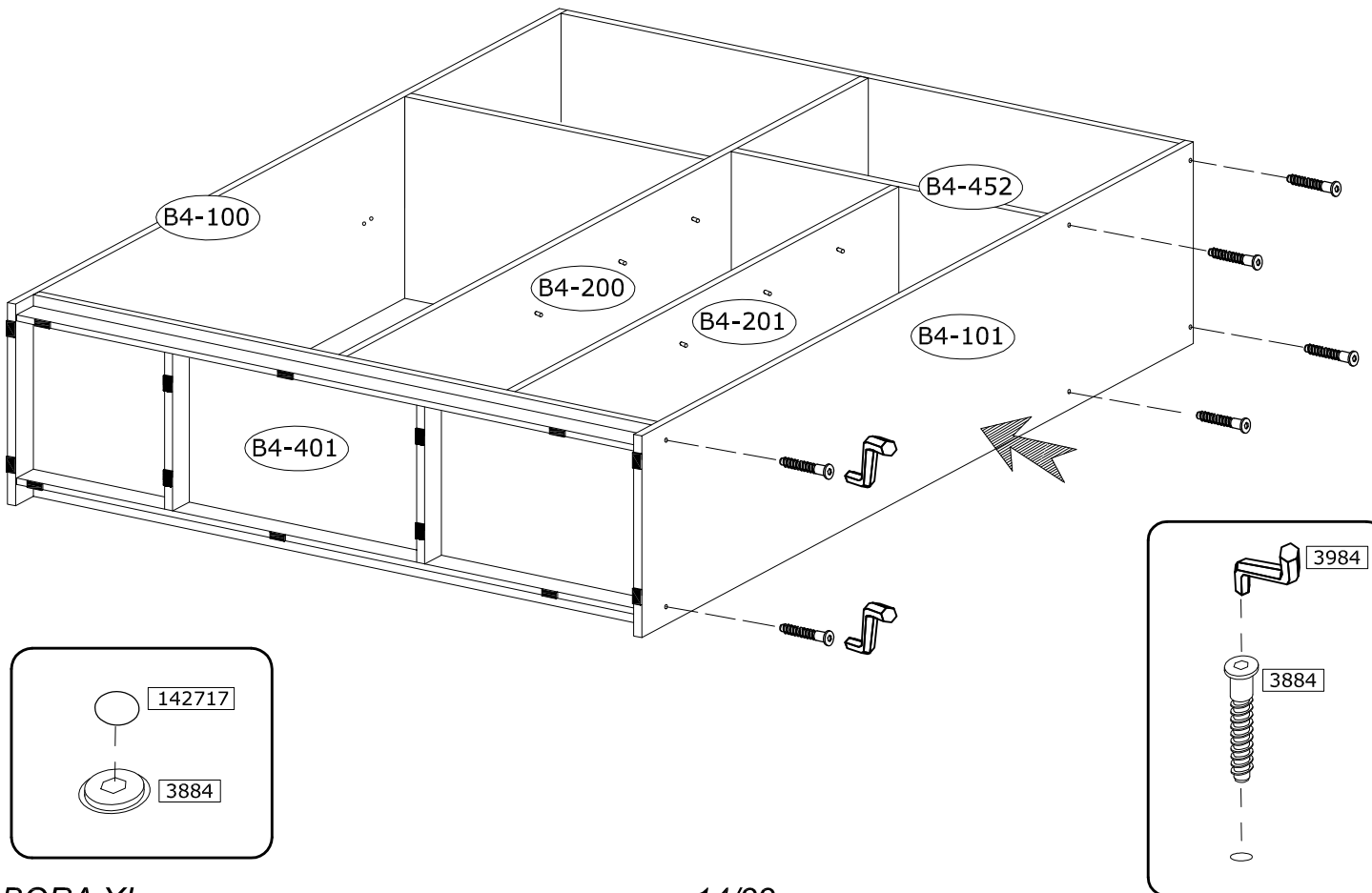
13.

3884 x4	3984 x1	142717 x4	136236 x2
------------	------------	--------------	--------------



14.

3884 x6	3984 x1	4108 105285 x6
------------	------------	----------------------



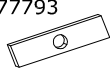
15.

3975

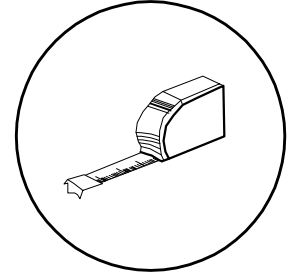
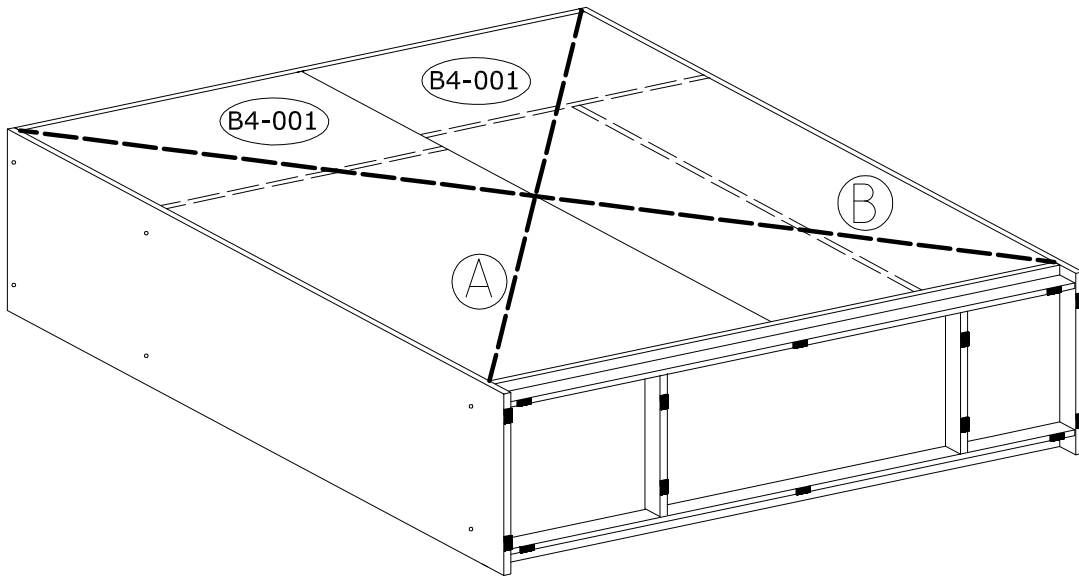
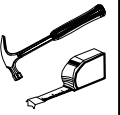


x90

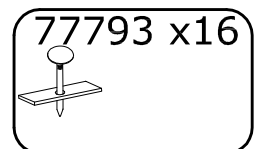
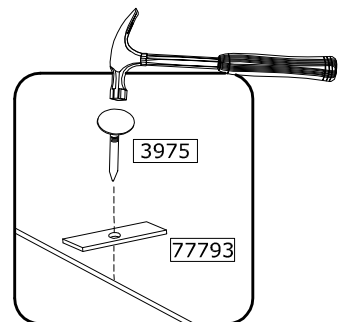
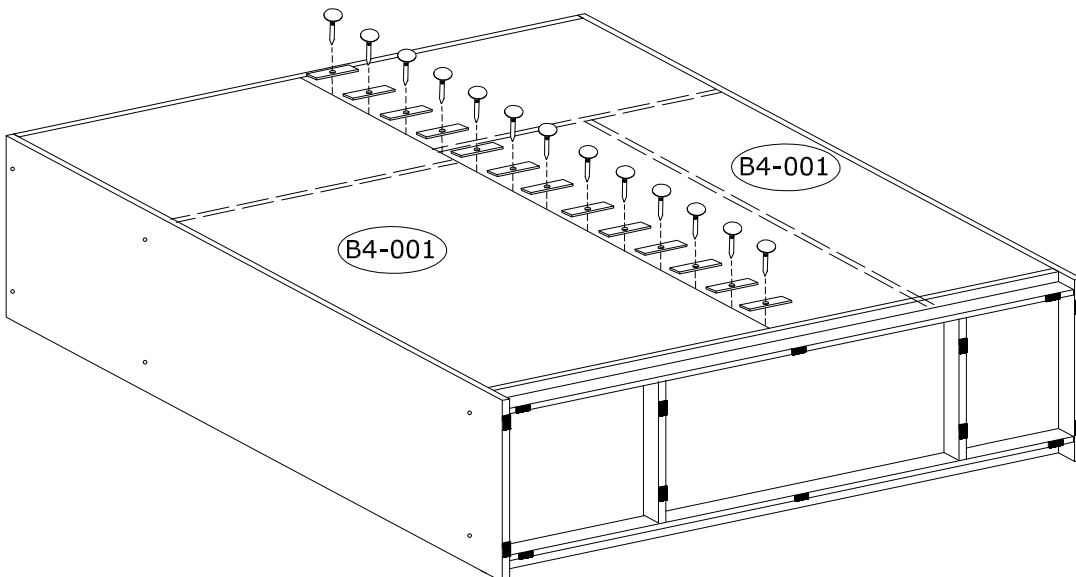
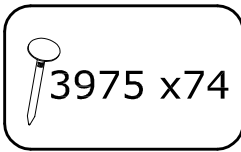
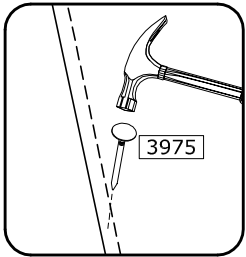
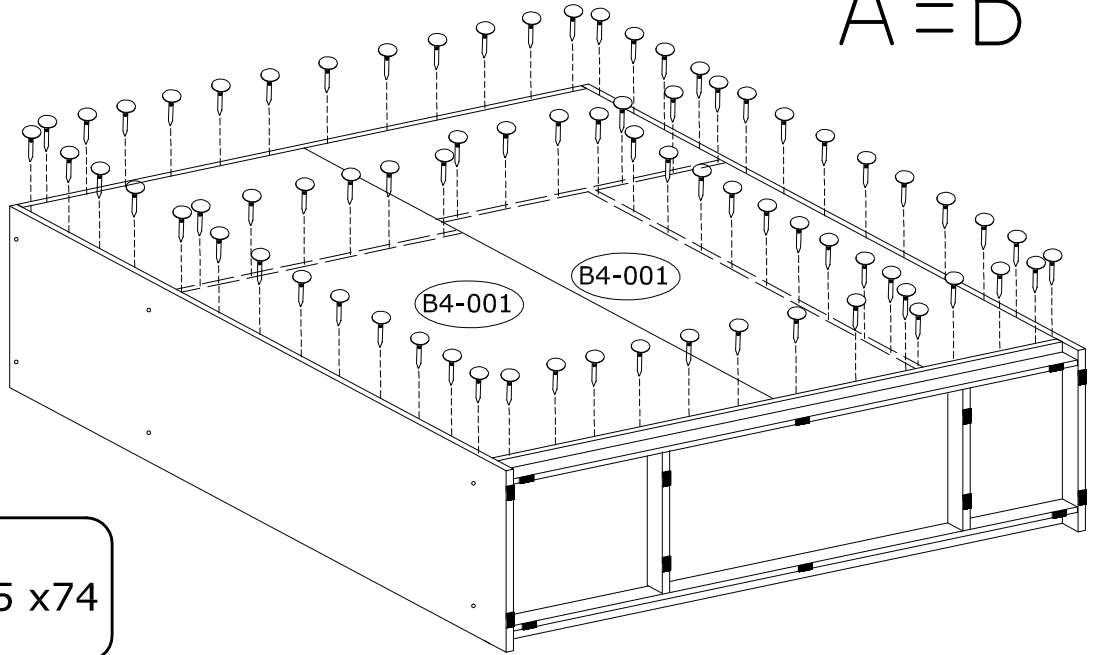
77793






L1x16

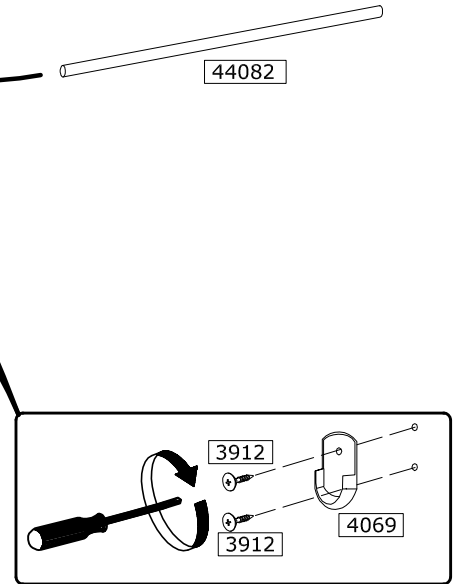
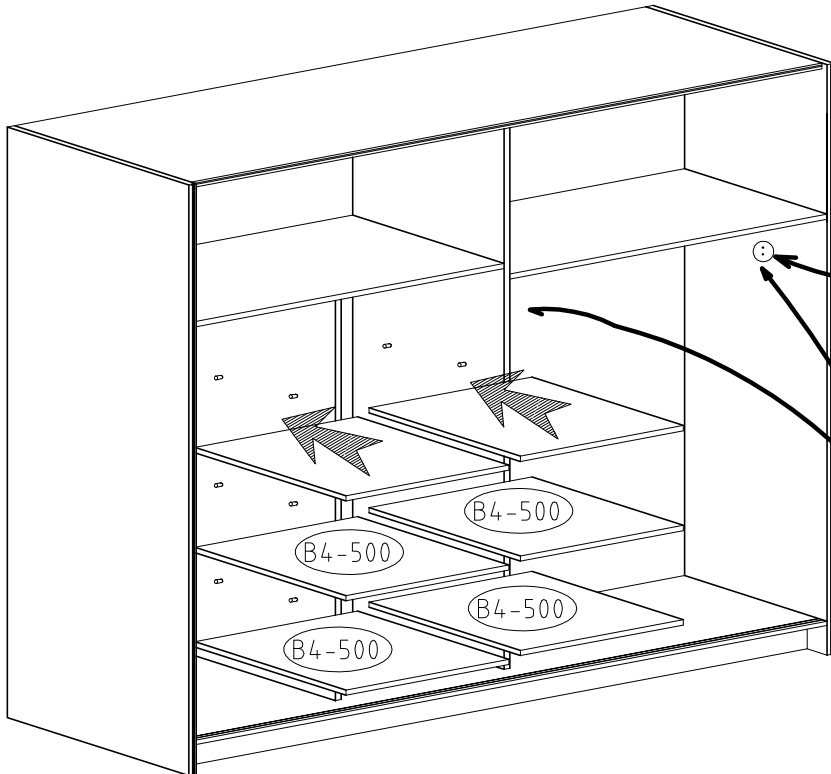


A = B

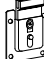







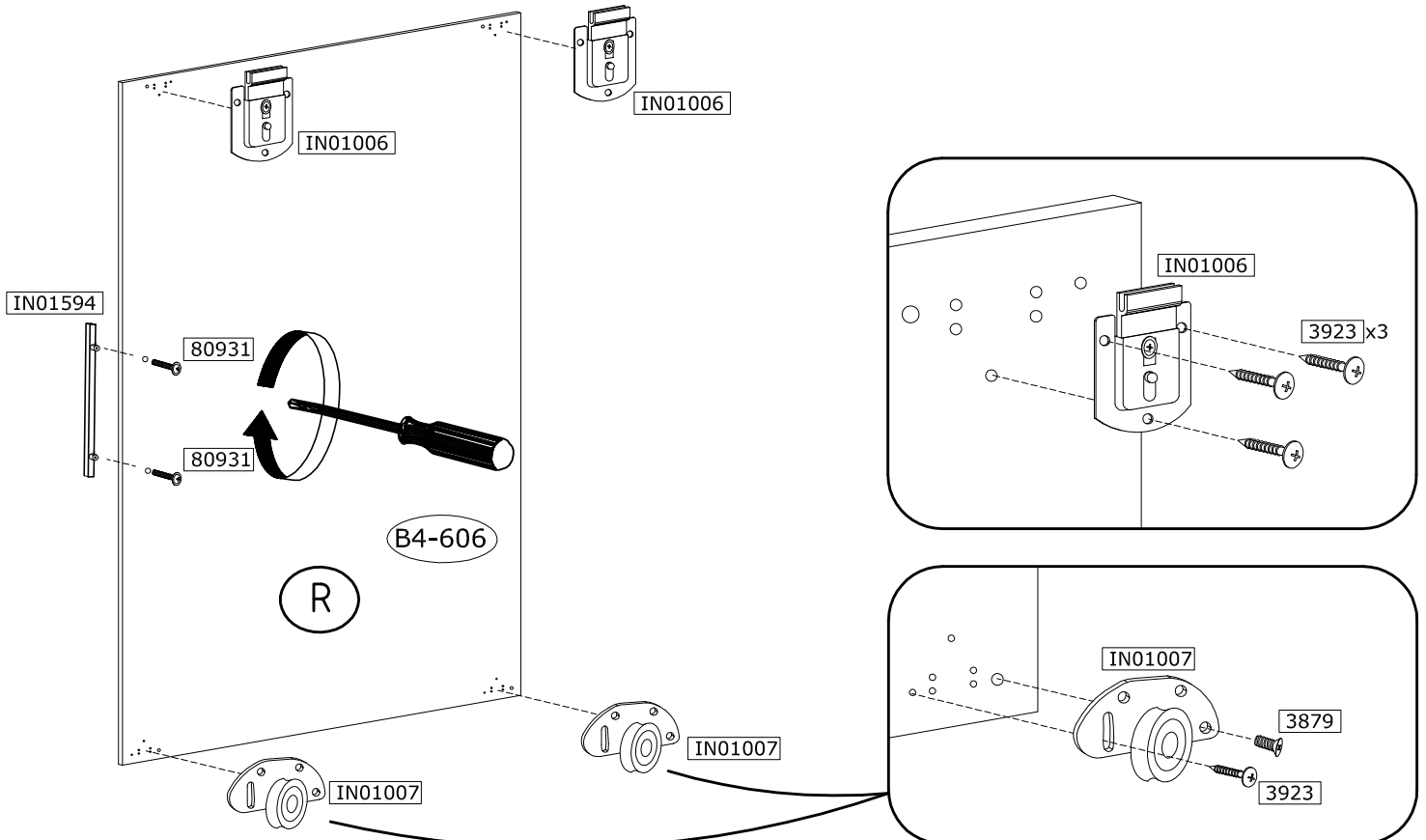
16.

3912  x4	4069  x2	44082  x1
--	--	---




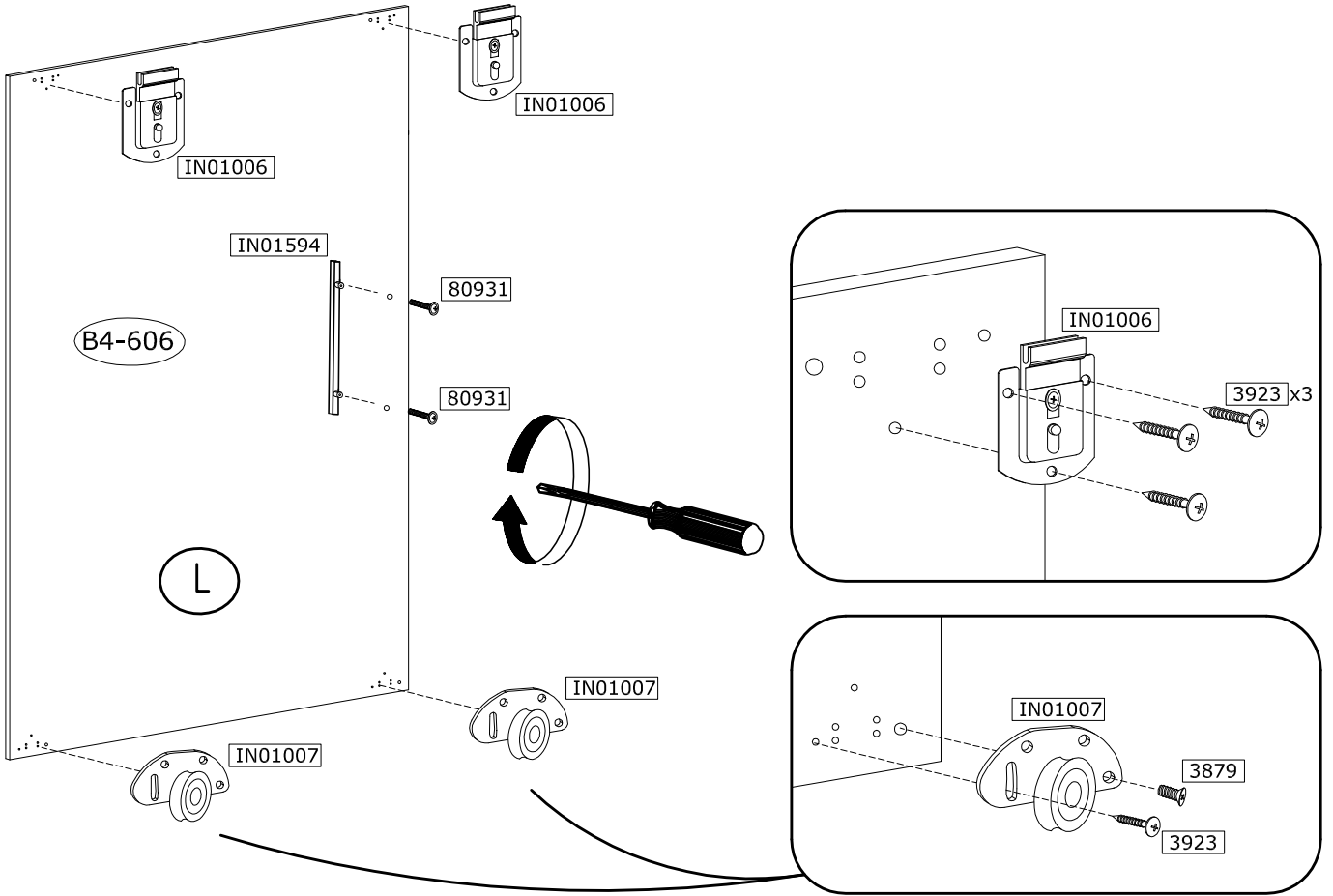
17.

IN01006  x2	IN01007  x2	3923  x8	3879  x2	3892  x2	IN01587  x1
--	--	---	---	---	--



18.

IN01006 x2	POP-B500-- x2	3923 x8	3879 x2	3892 x2	IN01587 x1		
---------------	------------------	------------	------------	------------	---------------	--	--

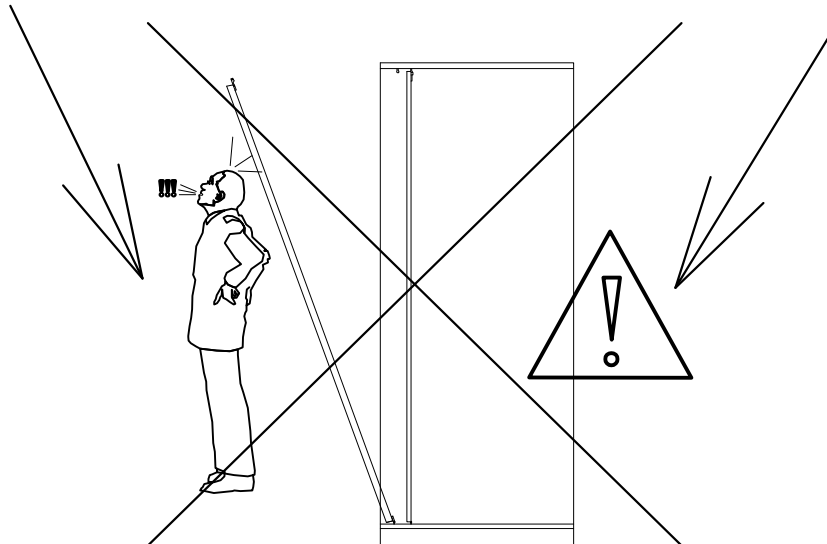
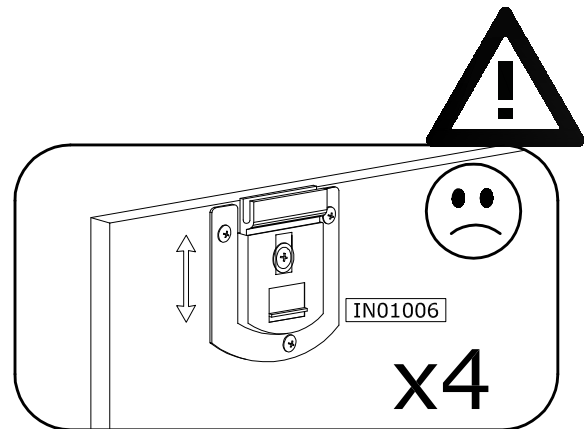
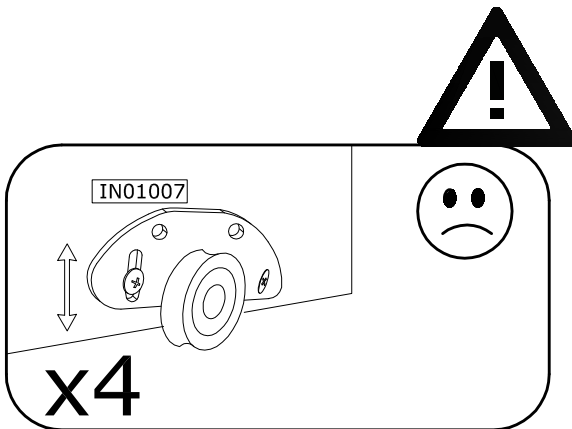
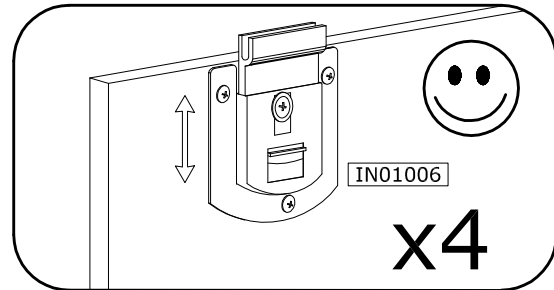
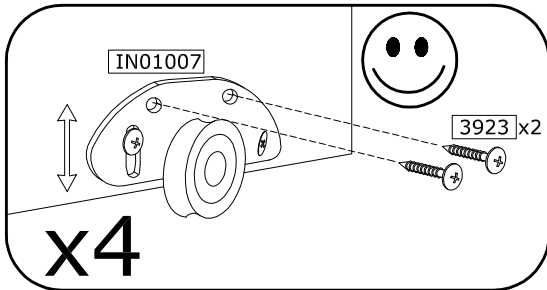
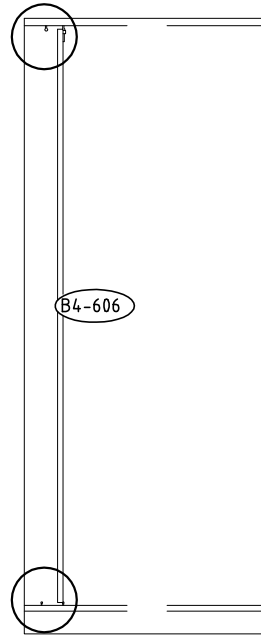
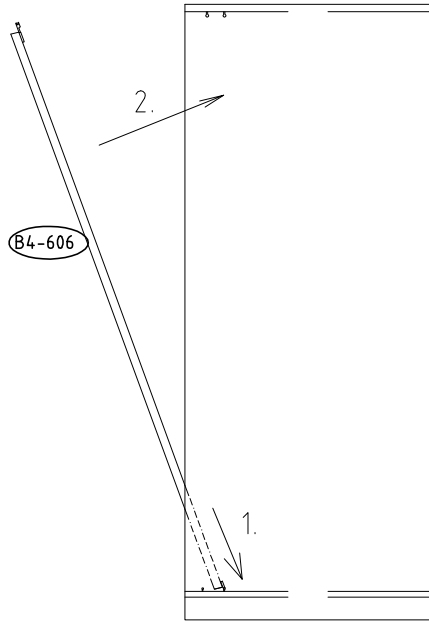


19.

3923



x2

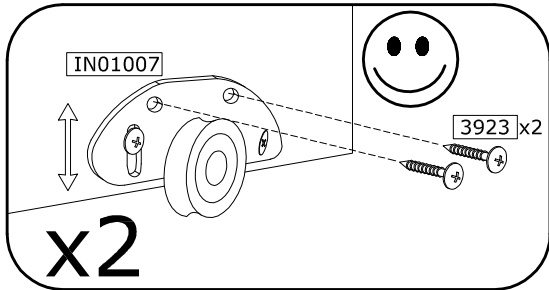
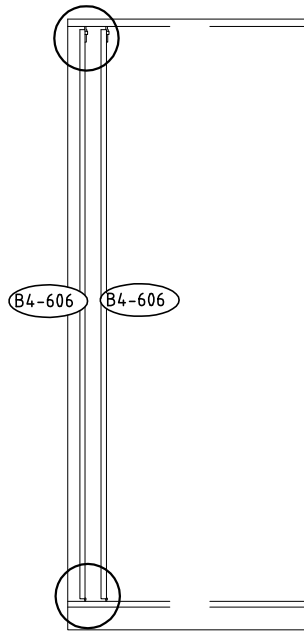
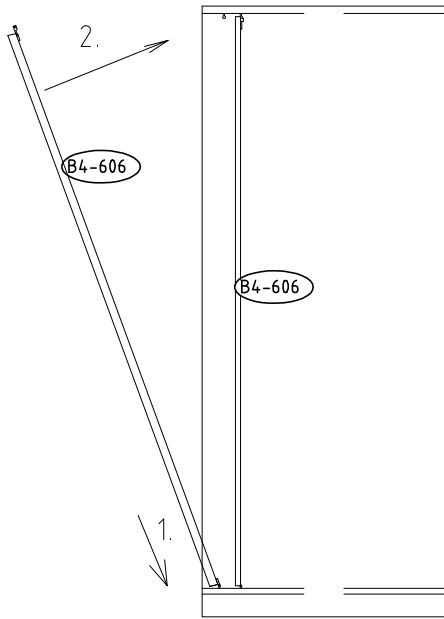


20.

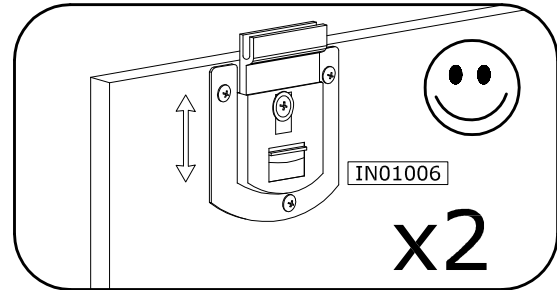
3923



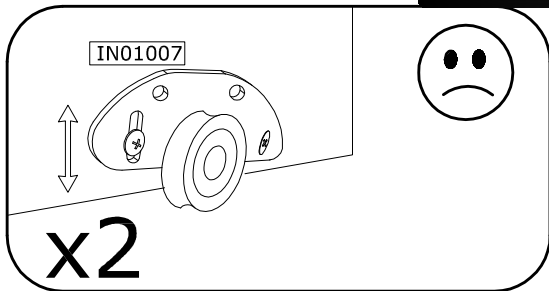
x2



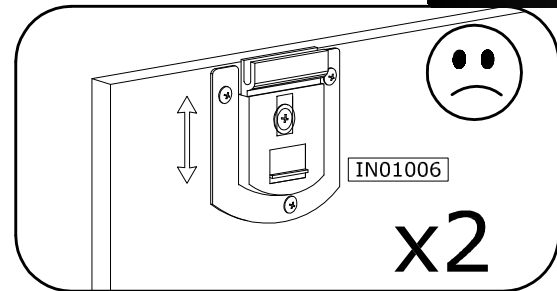
x2



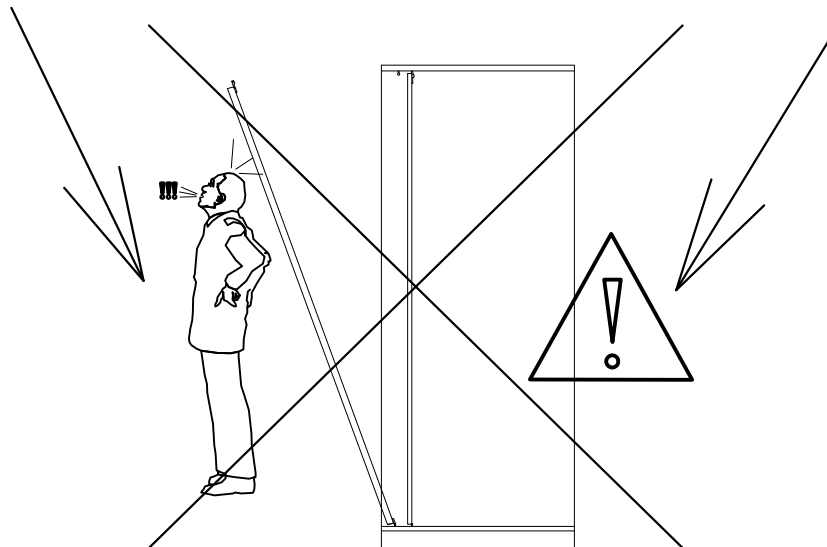
x2



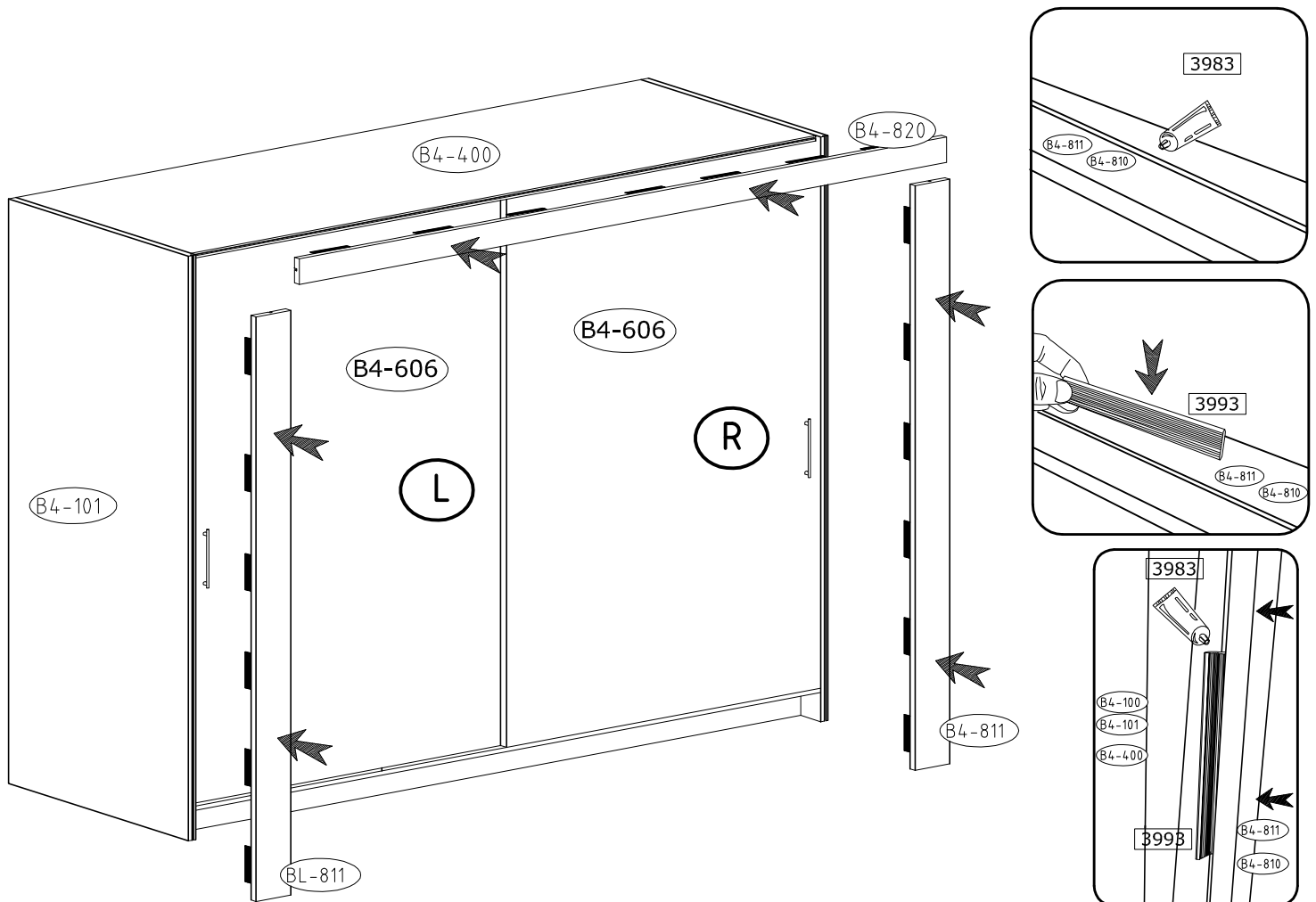
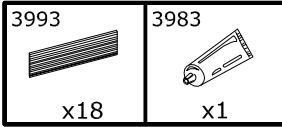
x2



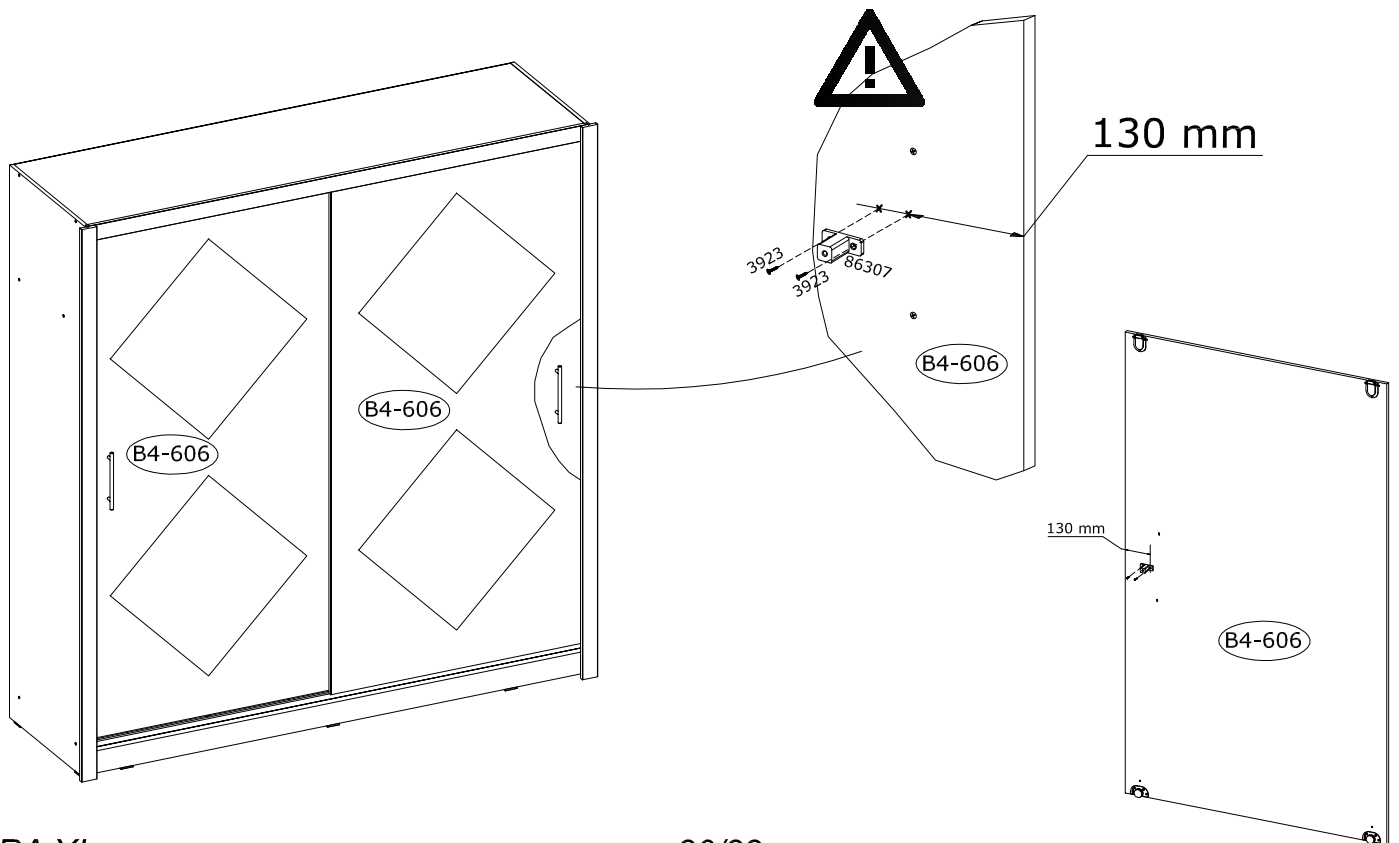
x2



21.



22.



23.

